

Naomi Morsetto



Design: Yaacov Kaufman, 2001



Adjustable lamp in aluminium on a clamp-base with 3m long feeding cable. The clamp is suitable for surfaces up to 52mm thickness.

Finishing

Standard

Special



Anodised aluminium
cod. 3290800

All RAL coating and galvanic finishes available upon request

Light emission

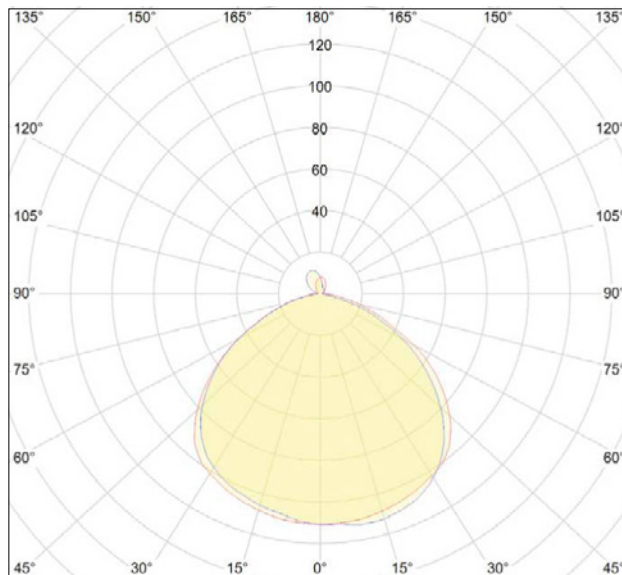
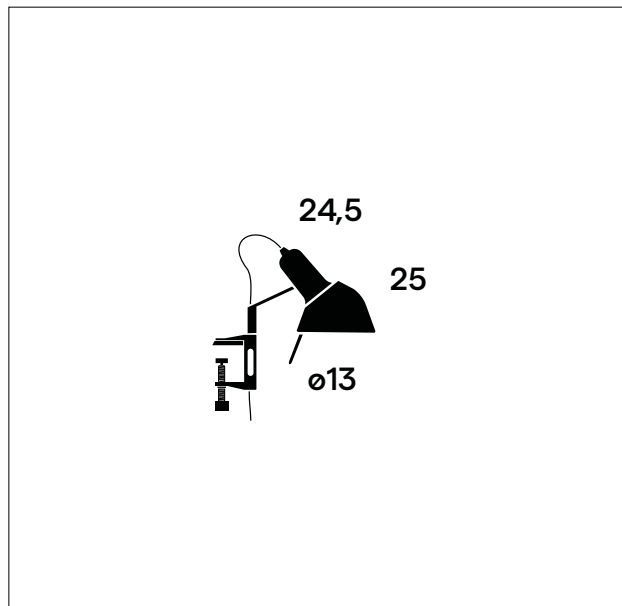
- Light emission: diffuse
- Light direction: downlight
- Light source: MAX 75W HAL - E27 / E26
- Included bulb: 8,5W LED 3000K - E27

Electrical Facts

- Power absorption: MAX 75W
- Grid voltage: 100-240 V AC / 50-60 Hz
- Power supply: AC driven
- Dimmability: not dimmable
- Energy class: A++ (with provided LED bulb)

Technical data

- Environment: indoor
- Placement: table / surface
- Net weight: 0,52 Kg
- Certifications: CE
- Suggested ambient T: 25°C
- Maximum ambient T: 40°C
- Insulation class: II
- Protection class: IP20



Packaging
cardboard box
24 x 24 x 19 (cm)
0,011 m³

Gross weight
0,7 Kg