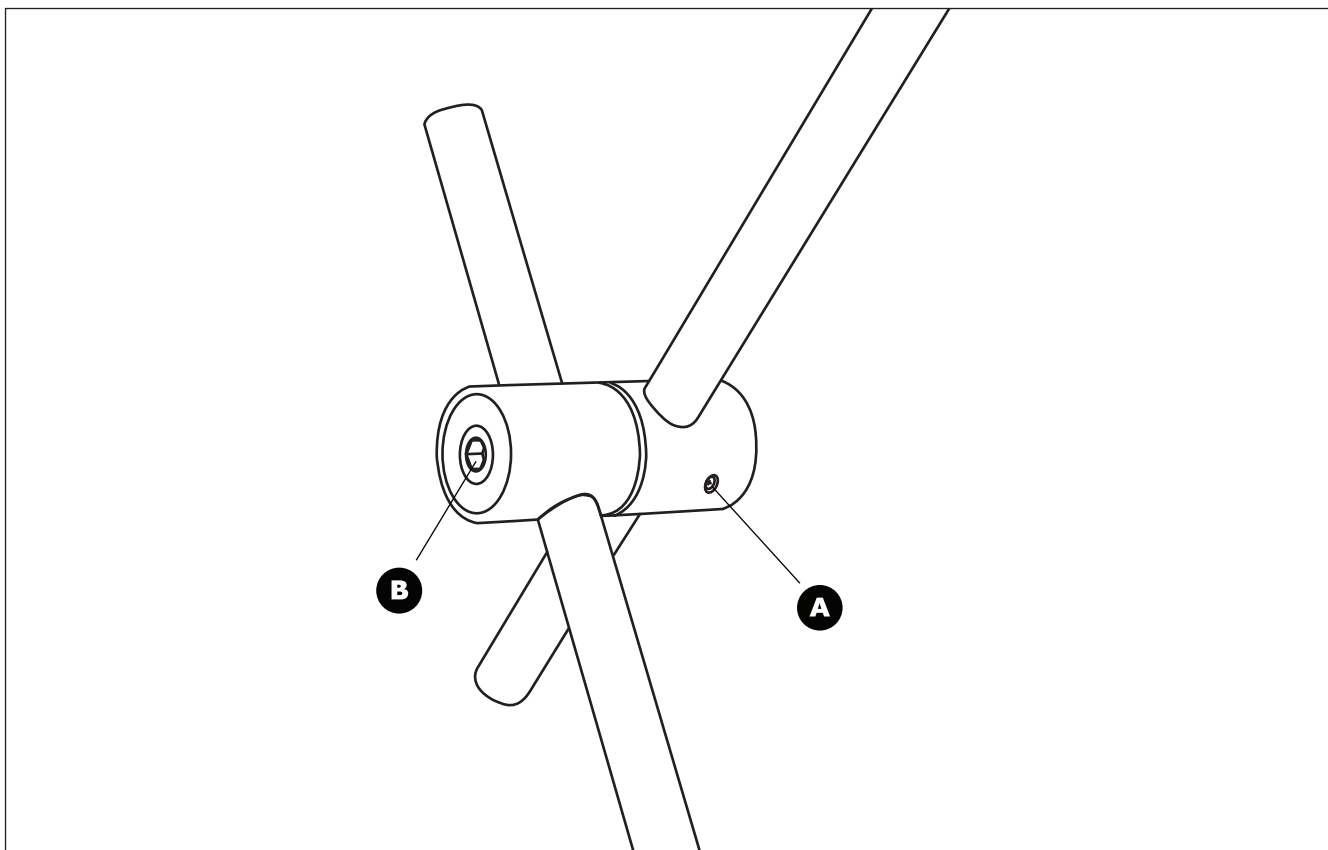


ARIGATO

Floor lamp, Table lamp, Ceiling lamp, Wall lamp



To tighten or loosen the Arigato arm joint (this applies to all Arigato arm joints):

- 1** Unscrew the small allen bolt (A) with 1.5 mm key.
- 2** Then tighten or loosen the big allen bolt (B) with 4 mm allen key.
- 3** When you are happy with the strenght of the joint - tighten back the small allen bolt (A) with the 1.5 mm allen key.

manufacturer:

GRUPA STUDIO d.o.o.
ZAGREB, CROATIA

www.grupaproducts.com
info@grupaproducts.com