

Daphne Terra LED

design Tommaso Cimini, 2013

release 2019, December



Floor standing lamp of metal with an articulated pivoting arm, the head can rotate 360°. The light source is a 9 W-LED controlled by a switch which can be set in ways: on/half light/off or stepless dimmer.

Finishing

Standard

● Black soft touch
cod. 02L01ST00

○ Matt white
cod. 02L02OP00

● Brushed nickel
cod. 02L4400

Special

● Matt red
cod. 02L03OP00

● Matt yellow
cod. 02L05OP00

● Metallic bronze
cod. 02L29MT00

All RAL coating and galvanic finishes available upon request

Light emission

- Light emission: diffuse
- Light direction: downlight
- Light source: led board
- Source flux: 800 lm
- Emitted flux: 643 lm
- Efficacy: 64,3 lm/W
- CCT: 3000K
- CRI index: 97
- Lifetime: >55000h L80 @ 25°C

Electrical Facts

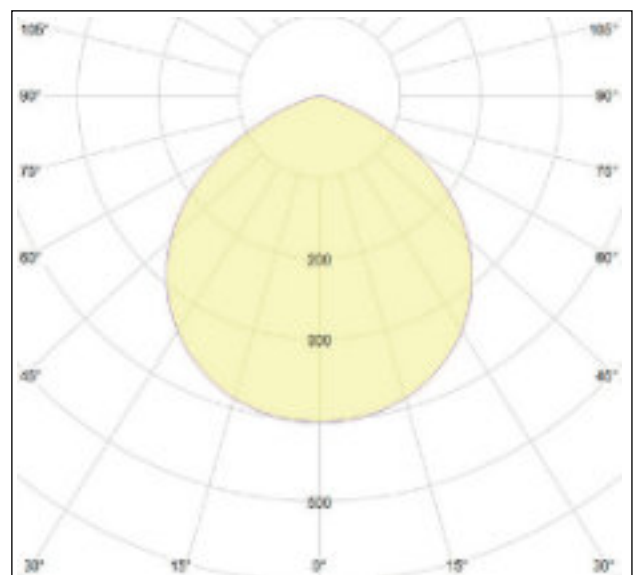
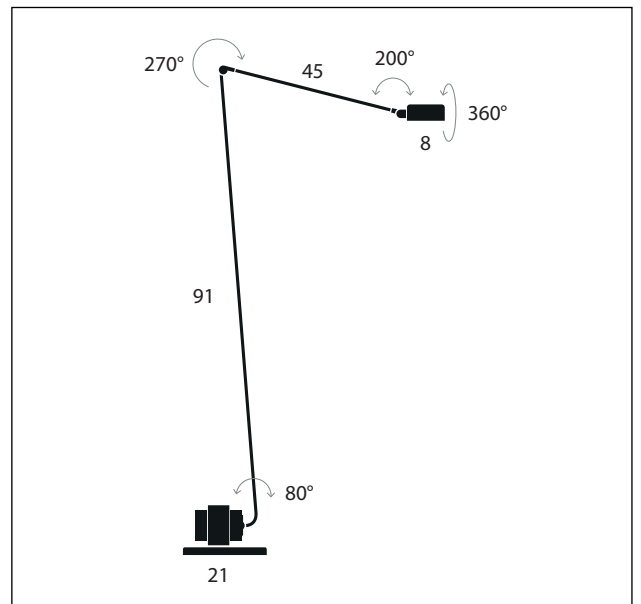
- Source power: 9W
- Power absorption: 10W
- Stand-by absorption: < 1 W
- Grid voltage: 100-240V AC/50-60 Hz
- Power supply: multiplug AC-DC converter provided
- Dimmability: internal push dimmer - 2 ways dimming
- Energy class: A++

Technical data

- Environment: indoor
- Placement: floor
- Net weight: 4,1 Kg
- Certifications: CE
- Suggested ambient T: 25°C
- Maximum ambient T: 40°C
- Insulation class: III
- Protection class: IP20

Packaging
cardboard box
109 x 14 x 22 (cm)
0,034 m³

Gross weight
5,2 Kg



Daphne Terra LED

design Tommaso Cimini, 2013

release 2019, December



Floor standing lamp of metal with an articulated pivoting arm, the head can rotate 360°. The light source is a 9 W-LED controlled by a switch which can be set in ways: on/half light/off or stepless dimmer.

Finishing

Standard

● Black soft touch
cod. 02L01STK27

○ Matt white
cod. 02L02OPK27

● Brushed nickel
cod. 02L44K27

Special

● Matt red
cod. 02L03OPK27

● Matt yellow
cod. 02L05OPK27

● Metallic bronze
cod. 02L29MTK27

All RAL coating and galvanic finishes available upon request

Light emission

- Light emission: diffuse
- Light direction: downlight
- Light source: led board
- Source flux: 775 lm
- Emitted flux: 622 lm
- Efficacy: 62,2 lm/W
- CCT: 2700K
- CRI index: 97
- Lifetime: >55000h L80 @ 25°C

Electrical Facts

- Source power: 9W
- Power absorption: 10W
- Stand-by absorption: < 1 W
- Grid voltage: 100-240V AC/50-60 Hz
- Power supply: multiplug AC-DC converter provided
- Dimmability: internal push dimmer - 2 ways dimming
- Energy class: A++

Technical data

- Environment: indoor
- Placement: floor
- Net weight: 4,1 Kg
- Certifications: CE
- Suggested ambient T: 25°C
- Maximum ambient T: 40°C
- Insulation class: III
- Protection class: IP20

Packaging
cardboard box
109 x 14 x 22 (cm)
0,034 m³

Gross weight
5,2 Kg

