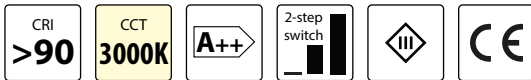


# Flo Bedside

design Foster + Partners, 2011

release 2019, December



LED light for bedside, in varnish coated aluminium and steel. Its head rotates by 300° for direct lighting, the arm pivots on base by 120°. 3W-LED which you can switch on with one click for full light intensity, with two clicks for half light intensity.

## Finishing

### Standard

● Black soft touch  
cod. 95001ST00

○ Matt white  
cod. 95002OP00

● Brushed nickel  
cod. 9504400

### Special

● Matt red  
cod. 95003OP00

● Matt yellow  
cod. 95005OP00

● Metallic bronze  
cod. 95029MT00

● Gunmetal  
cod. 9503200

All RAL coating and galvanic finishes available upon request

## Light emission

- Light emission: diffuse
- Light direction: downlight
- Light source: led board
- Source flux: 270 lm
- Emitted flux: 150 lm
- Efficacy: 30 lm/W
- CCT: 3000K
- CRI index: >90
- Lifetime: >55000h L80 @ 25°C

## Electrical Facts

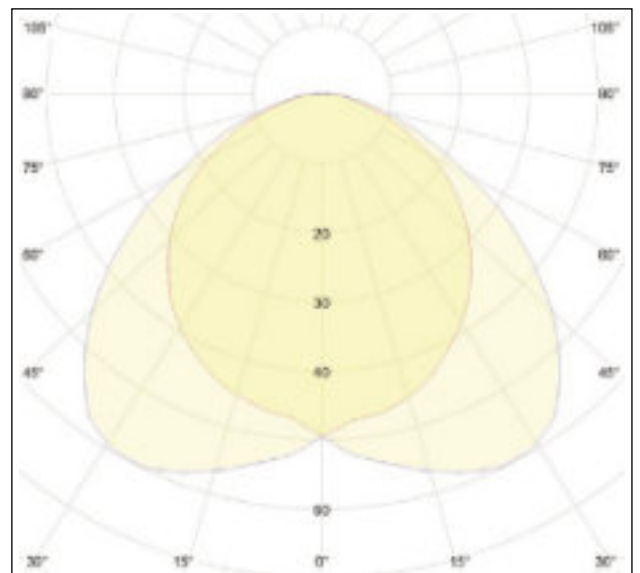
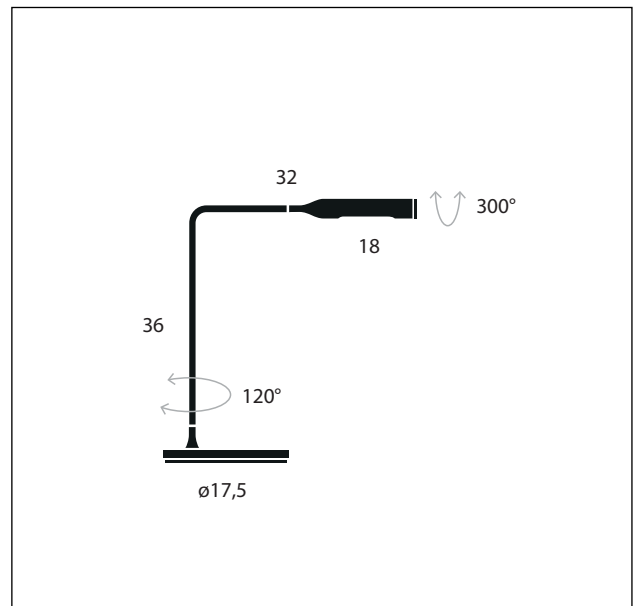
- Source power: 3 W
- Power absorption: 5 W
- Stand-by absorption: < 1 W
- Grid voltage: 100-240V AC/50-60 Hz
- Power supply: multiplug AC-DC converter provided
- Dimmability: internal push dimmer
- Energy class: A++

## Technical data

- Environment: indoor
- Placement: table
- Net weight: 1,65 Kg
- Certifications: CE
- Suggested ambient T: 25°C
- Maximum ambient T: 40°C
- Insulation class: III
- Protection class: IP20

Packaging  
cardboard box  
46 x 40 x 8 (cm)  
0,013 m<sup>3</sup>

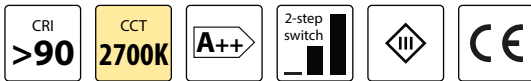
Gross weight  
2,4 Kg



# Flo Bedside

design Foster + Partners, 2011

release 2019, December



LED light for bedside, in varnish coated aluminium and steel. Its head rotates by 300° for direct lighting, the arm pivots on base by 120°. 3W-LED which you can switch on with one click for full light intensity, with two clicks for half light intensity.

## Finishing

### Standard

● Black soft touch  
cod. 95001STK27

○ Matt white  
cod. 95002OPK27

● Brushed nickel  
cod. 95044K27

### Special

● Matt red  
cod. 95003OPK27

● Matt yellow  
cod. 95005OPK27

● Metallic bronze  
cod. 95029MTK27

● Gunmetal  
cod. 95032K27

All RAL coating and galvanic finishes available upon request

## Light emission

- Light emission: diffuse
- Light direction: downlight
- Light source: led board
- Source flux: 250 lm
- Emitted flux: 140 lm
- Efficacy: 28 lm/W
- CCT: 2700K
- CRI index: >90
- Lifetime: >55000h L80 @ 25°C

## Electrical Facts

- Source power: 3 W
- Power absorption: 5 W
- Stand-by absorption: < 1 W
- Grid voltage: 100-240V AC/50-60 Hz
- Power supply: multiplug AC-DC converter provided
- Dimmability: internal push dimmer
- Energy class: A++

## Technical data

- Environment: indoor
- Placement: table
- Net weight: 1,65 Kg
- Certifications: CE
- Suggested ambient T: 25°C
- Maximum ambient T: 40°C
- Insulation class: III
- Protection class: IP20

Packaging  
cardboard box  
46 x 40 x 8 (cm)  
0,013 m<sup>3</sup>

Gross weight  
2,4 Kg

