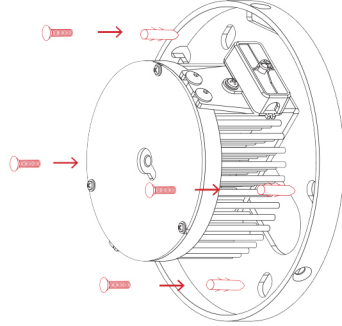


MEDOUSÉ INSTALLATION SUGGESTIONS

WARNING

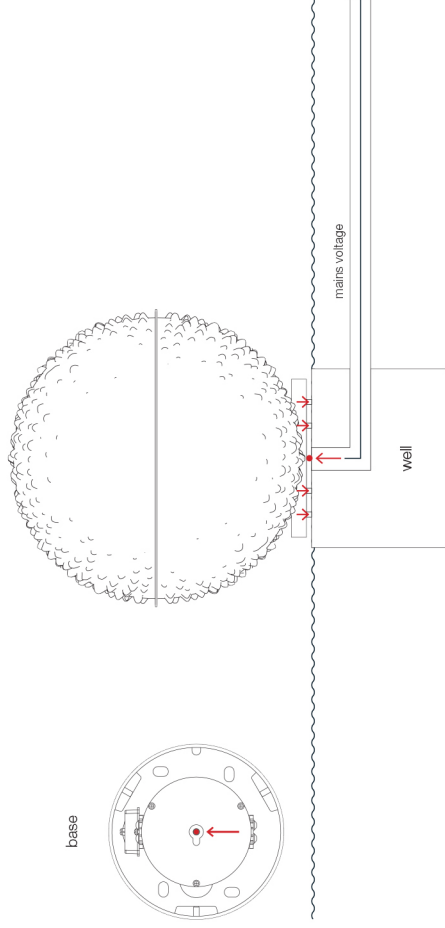
For stability reasons the lamp must be fastened to a solid surface such as a wall or basement; in alternative it can be mounted on the modular supporting plate (ref. L / code MSM) available on request.

Before installing the lamp, please check the levelling of the soil and make sure that it can support the weight of the fitting.
(Medousé weight Ø 30 cm 15 kg / Medousé weight Ø 50 cm 31 kg)

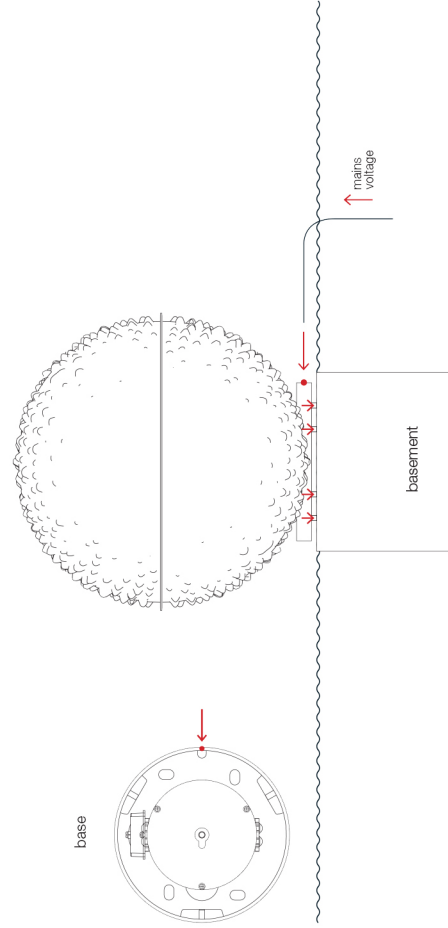


lamp base with holes for the fastening
(plugs not included)

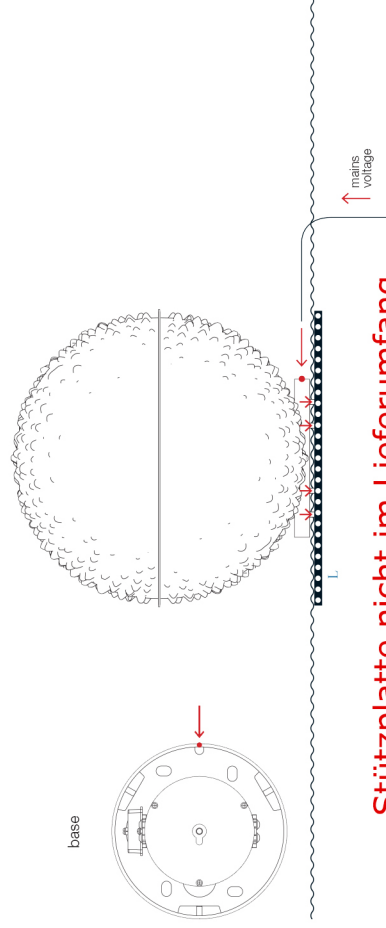
Example 2
with well and supply cable from underneath



Example 1
with basement and supply cable from the side



Example 3
with supporting plate 1x code MSM (L)



**Stützplatte nicht im Lieferumfang.
Ggf. separat unter Zubehör bestellen!**